

PLEASE KEEP ME WITH YOUR PROOF OF PURCHASE FOR FUTURE REFERENCE



ASSEMBLY INSTRUCTIONS

SOMERTON 165X85CM RECTANGULAR CASUAL CERAMIC TABLE

(69708129)

ATTENTION:




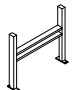

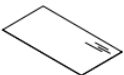

1. Please read these instructions carefully before assembly
2. Aluminium is soft metal and over tightening may strip thread or break the part
3. **DO NOT** use power tools
4. Please allow 30 minutes for assembly.
5. Although assembly only requires 1 person it is advised that a second person be present to help turn the table over and into position when fully assembled.

ASSEMBLY STEPS:

1. Turn the table top frame (A) upside down on a soft clean surface
2. **LOOSELY** attach legs (B) to the table top frame (A) with bolts (D) and big flat washers(E) using Allen key (G)
3. Tighten all bolts using Allen key (G) one by one being careful not to over tighten any as this will cause the thread to become damaged
4. Place Nut caps (F) on all visible bolts (D)
5. Turn table over and place in desired position. Then place glass (C) on top carefully

For more information regarding maintenance of your furniture please visit

http://www.hartmanuk.co.uk/after_care_videos.html

A		Table top frame	1	69708129A	D		M6*25 bolts	12	1231162
					E		Big Flat washers	12	1061162
B		Leg	2	69708129B	F		Nut cap	12	2100043
C		Glass	1	69708129C	G		Allen Key	1	2002191

For replacement or lost spare parts please go to <http://faq.hartmanuk.co.uk/spares/>

Should you have any queries about your furniture your first point of contact should be the retailer from whom you purchased your product

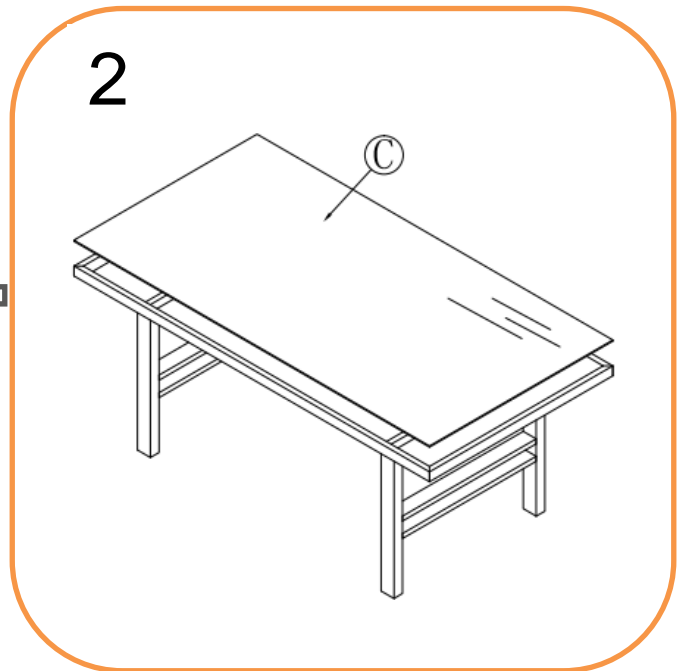
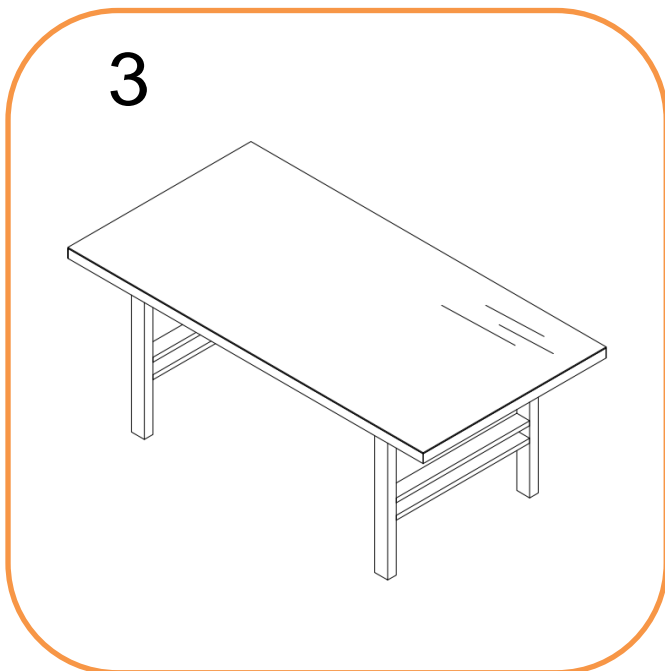
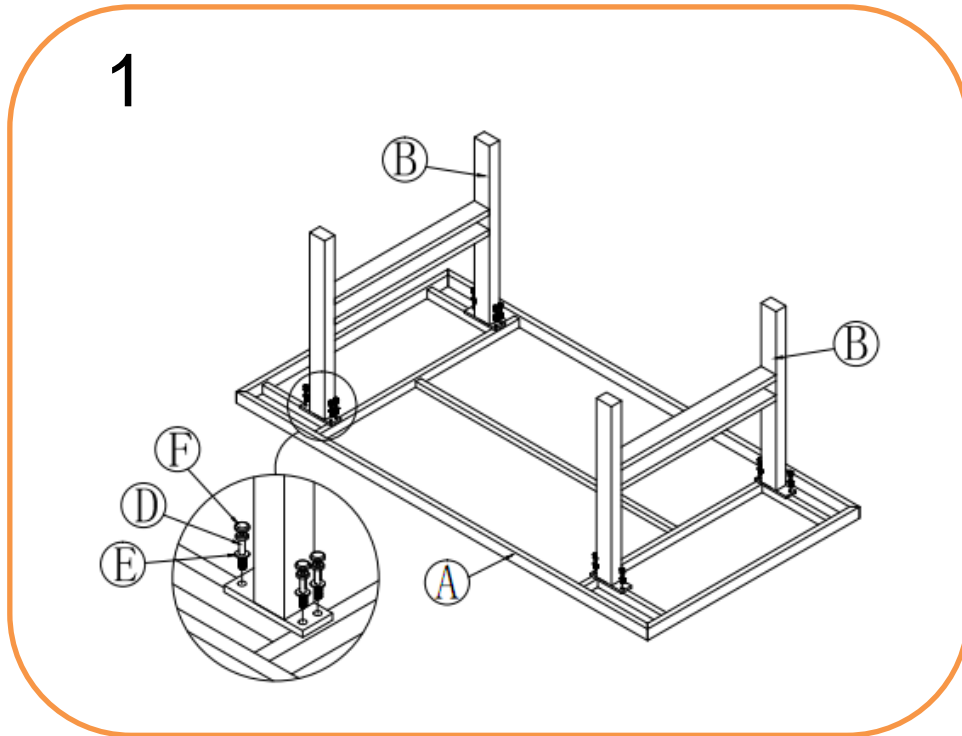
PLEASE KEEP ME WITH YOUR PROOF OF PURCHASE FOR FUTURE REFERENCE



ASSEMBLY INSTRUCTIONS

SOMERTON 165X85CM RECTANGULAR CASUAL CERAMIC TABLE

(69708129)



For replacement or lost spare parts please go to <http://faq.hartmanuk.co.uk/spares/>
Should you have any queries about your furniture your first point of contact should be the retailer from whom you purchased your product